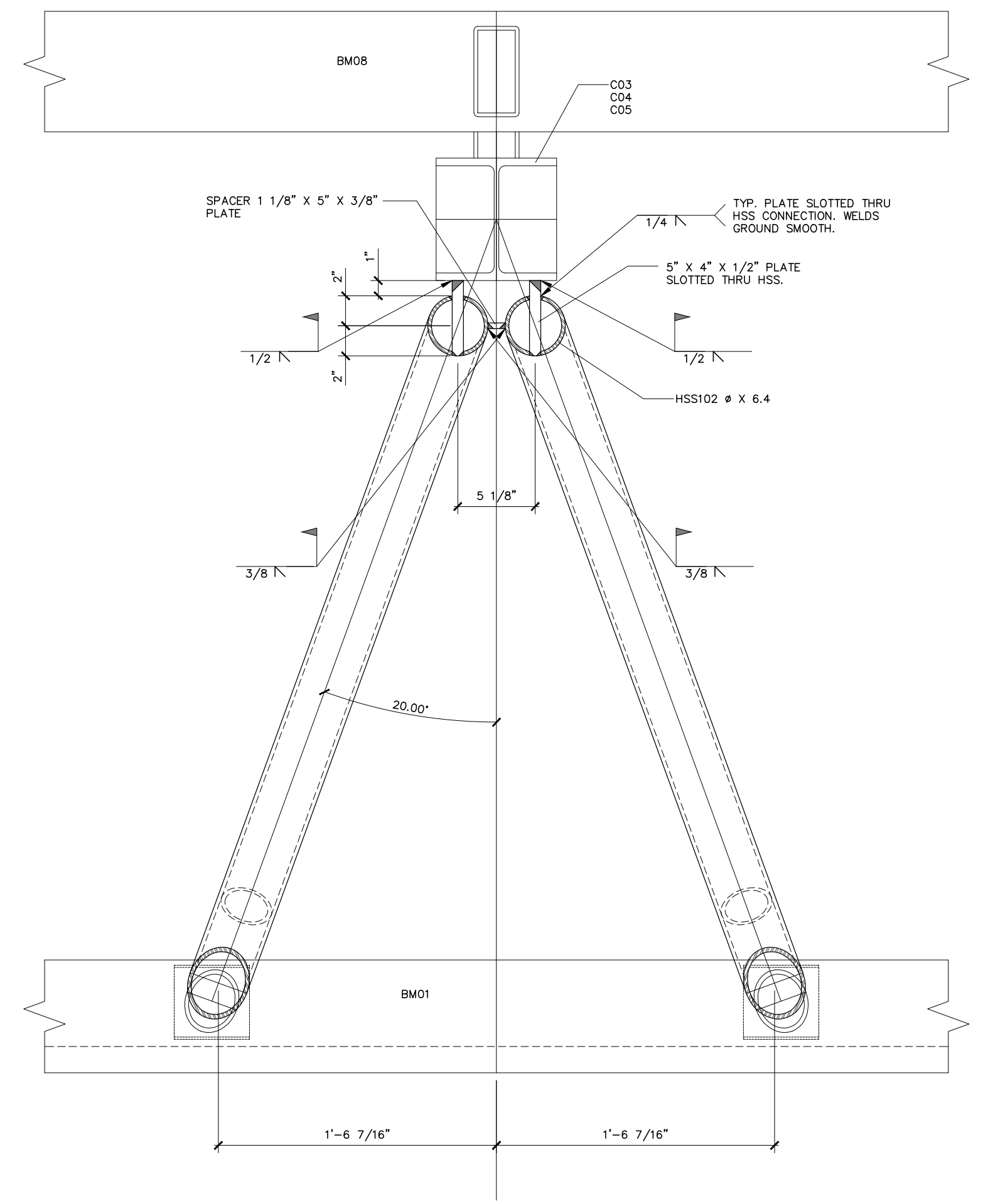


KB2 - SOUTH ELEVATION



KB2 - TOP VIEW

ISSUE	DATE	DESCRIPTION
1	AAA 00 0000	FOR SAMPLE

DRAWN BY D PATRICK	SHEET TITLE DETAILS	SCALE 1 1/2" = 1'-0"
	PROJECT SAMPLE PROJECT	DATE AAA 00 0000