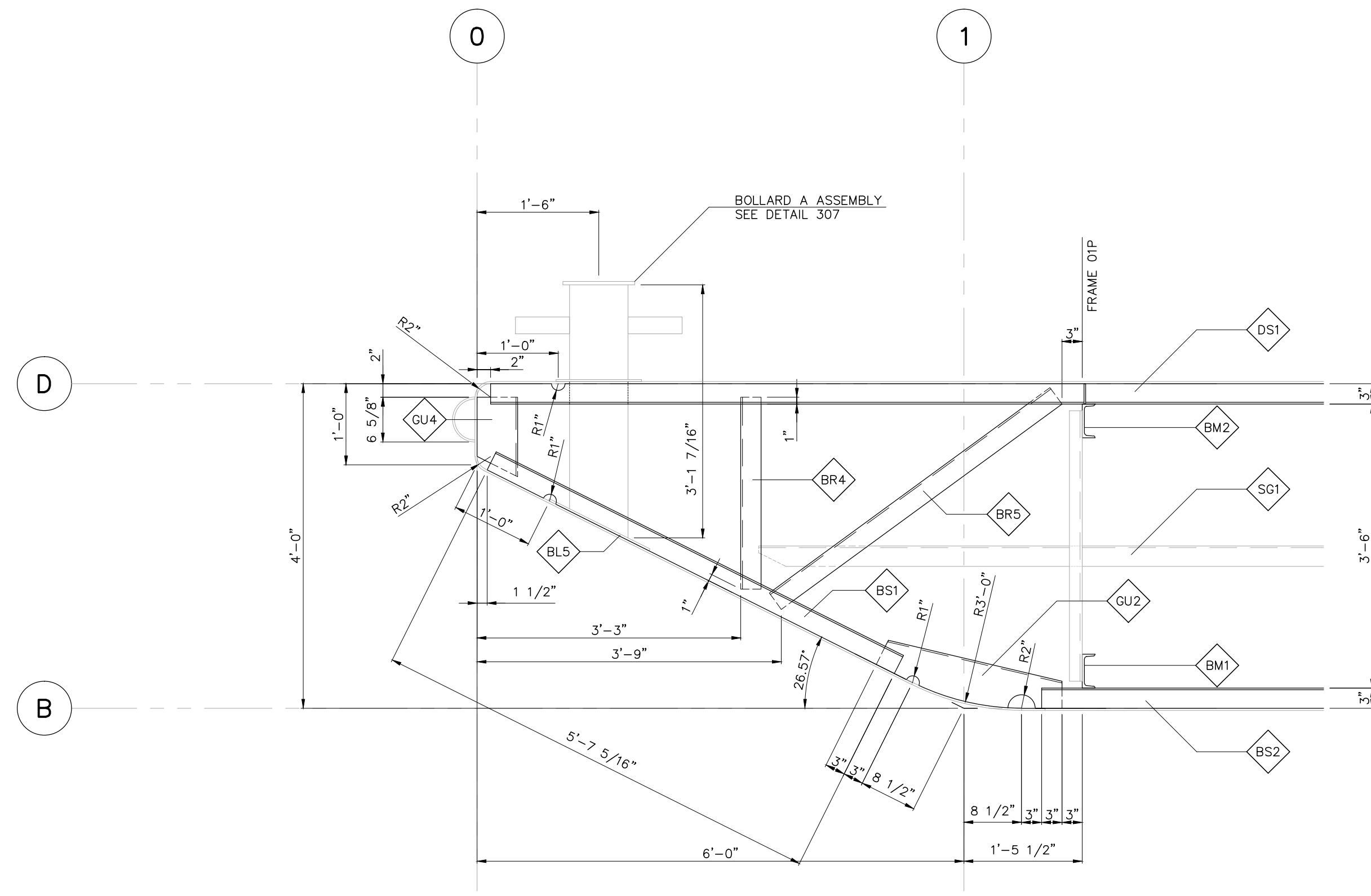


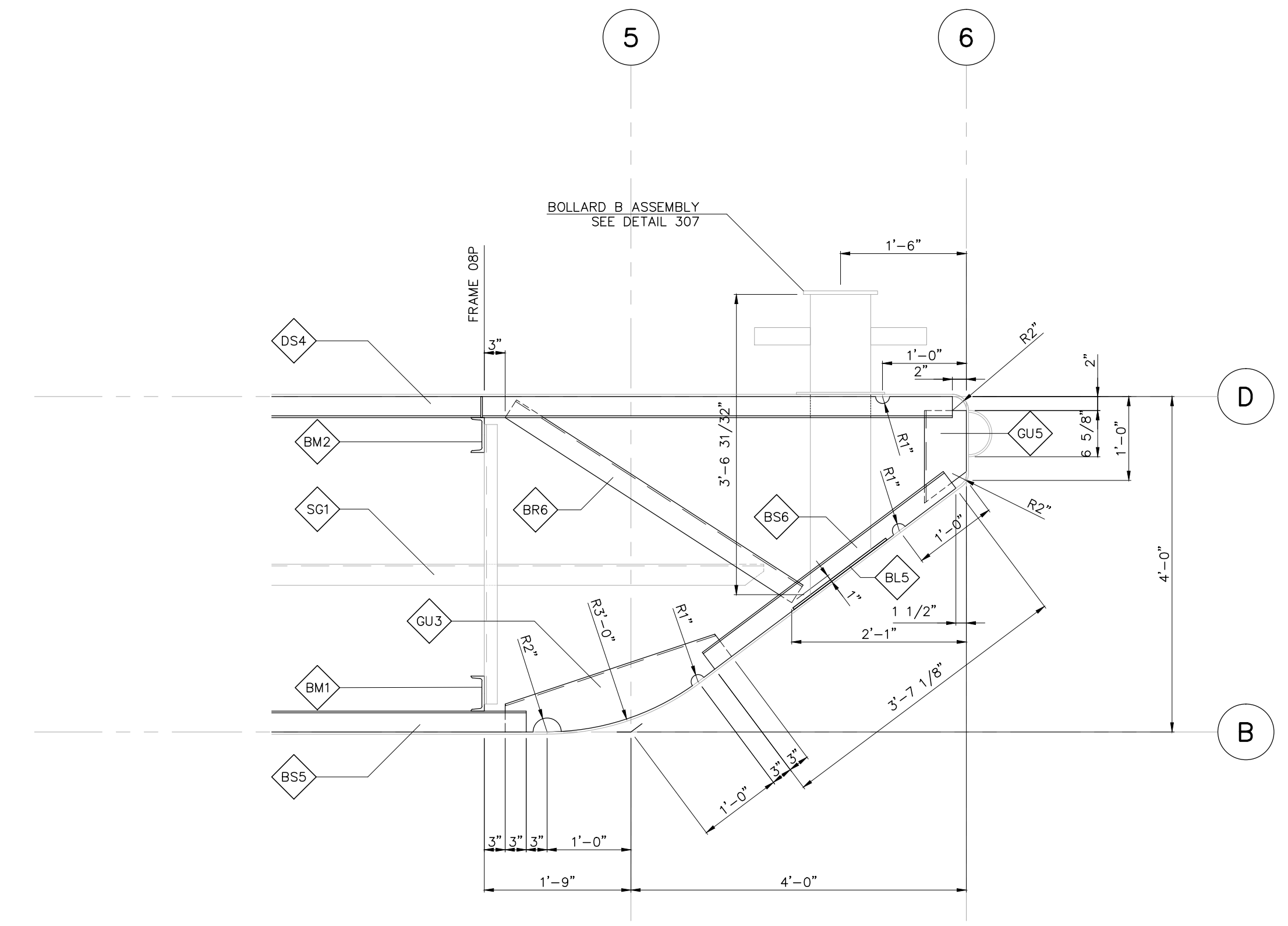
SAMPLE



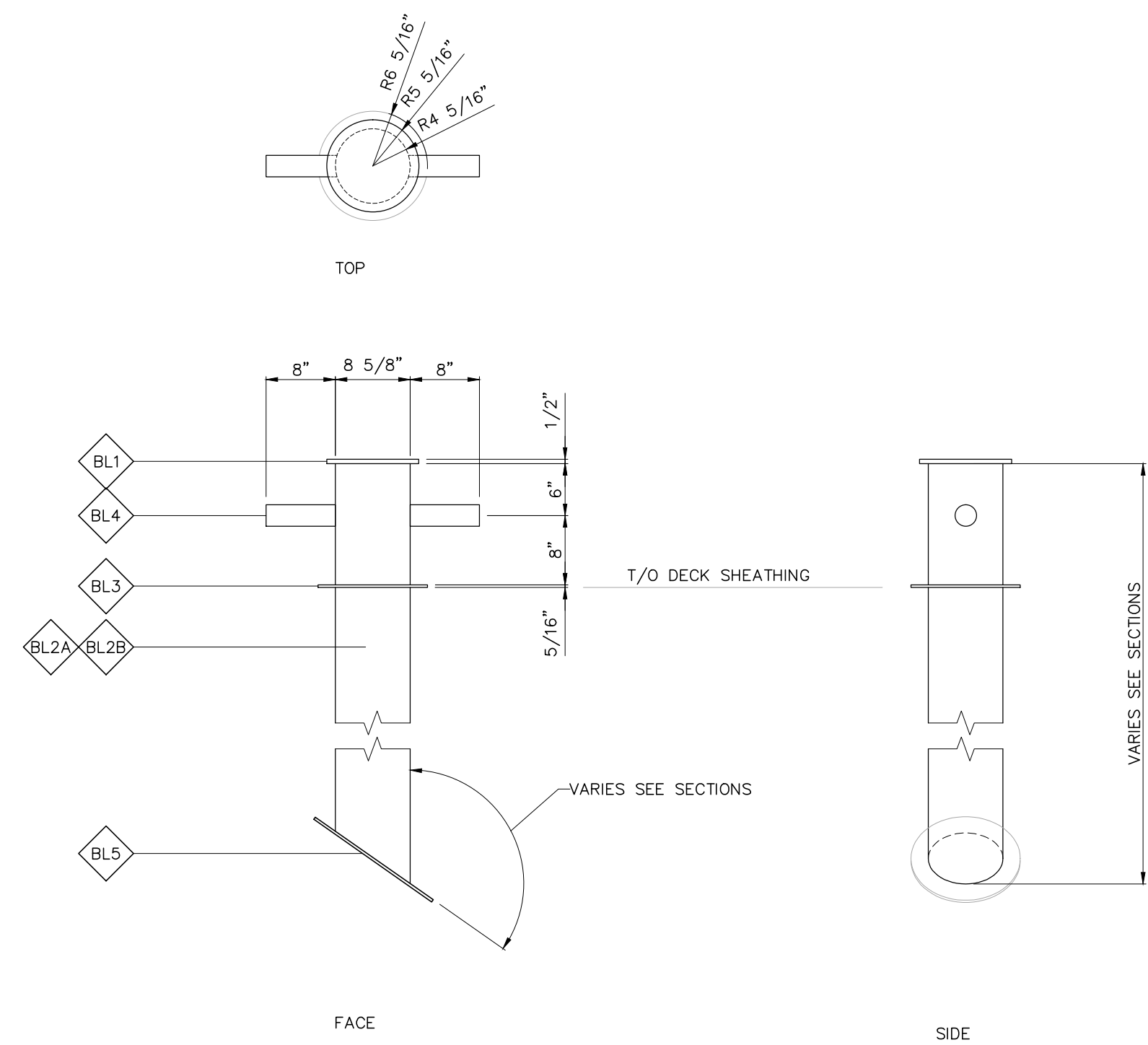
DETAIL 107 STERN SECTION SCALE = 3/4" = 1'-0"

DIMENSIONS ARE TO INSIDE FACE OF SHEATHING U.N.O.

NOTE: ALL WELDS TYP. U.N.G.

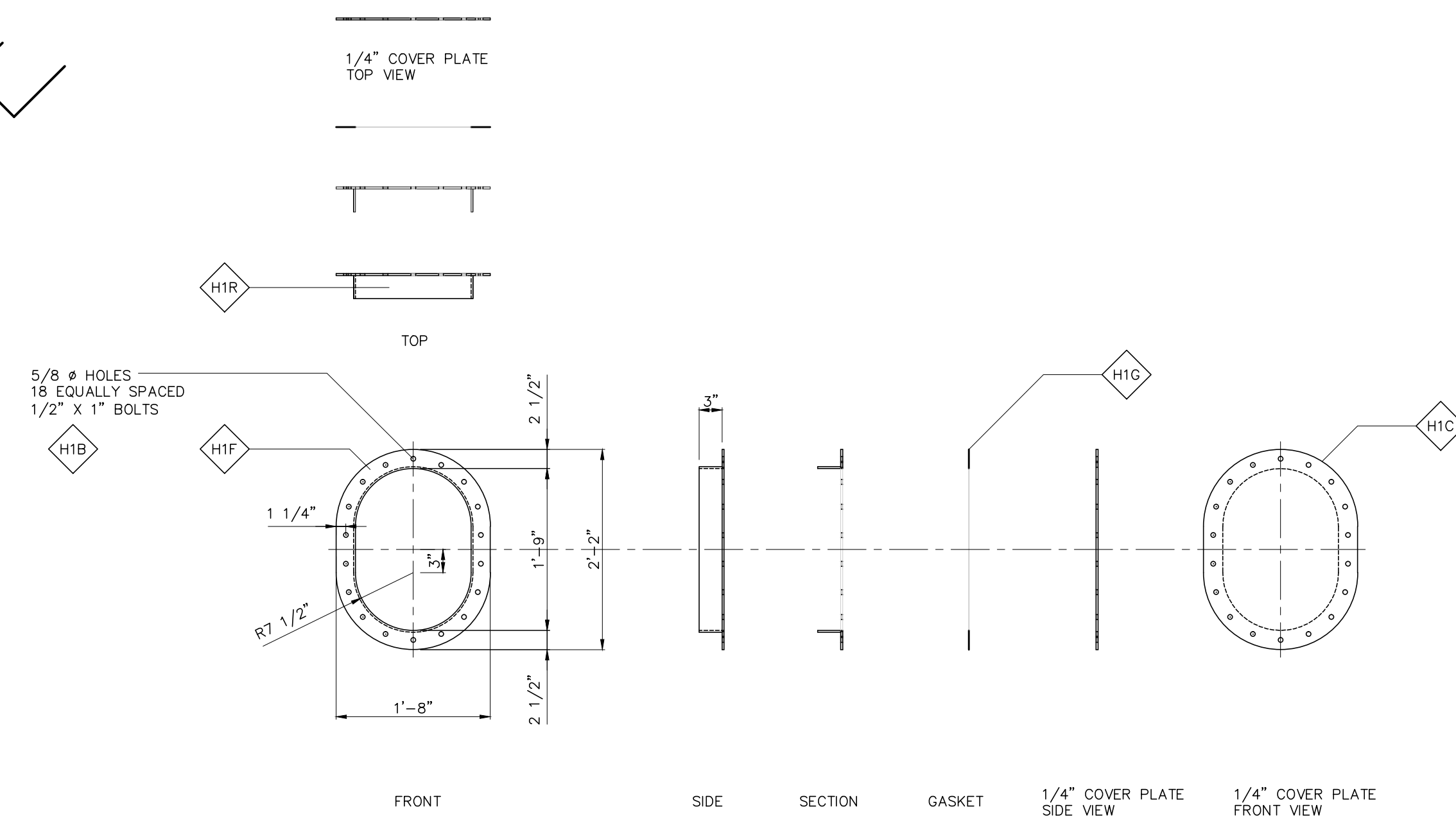


DETAIL 207 BOW SECTION SCALE = 3/4" = 1'-0"



DETAIL 307 BOLLARD ASSEMBLY SCALE = 3/4" = 1'-0"

SAMPLE



DETAIL 407 W/T ACCESS HATCH ASSEMBLY SCALE = 3/4" = 1'-0"

ISSUE	DATE	DESCRIPTION
1	AAA 00 0000	FOR SAMPLE

YOUR LOGO HERE

DESIGNED BY	TITLE	SCALE	DRAWING NO.
D. PATRICK	DETAILS	AS NOTED	00
CHECKED BY	PROJECT	DATE	
	BARGE 000 SAMPLE	AAA 00 0000	
	PROJECT ADDRESS		
	0000 ANY STREET, ANYTOWN, B.C.		